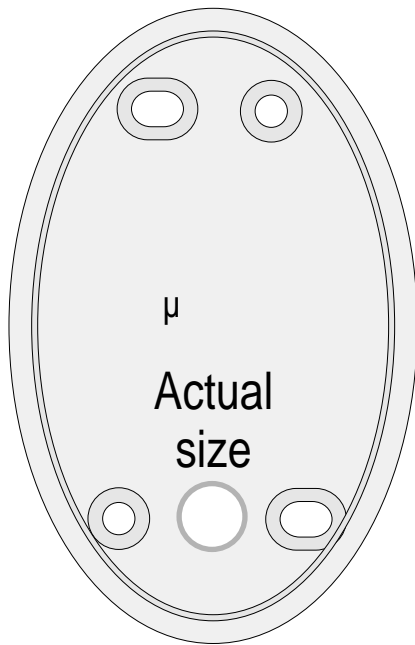
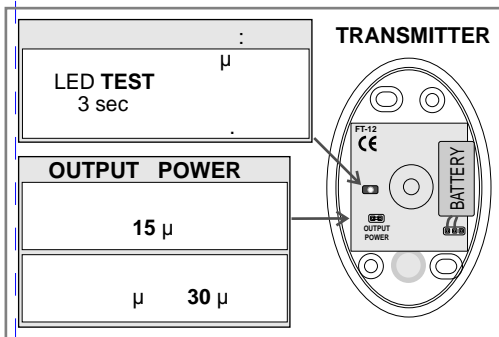
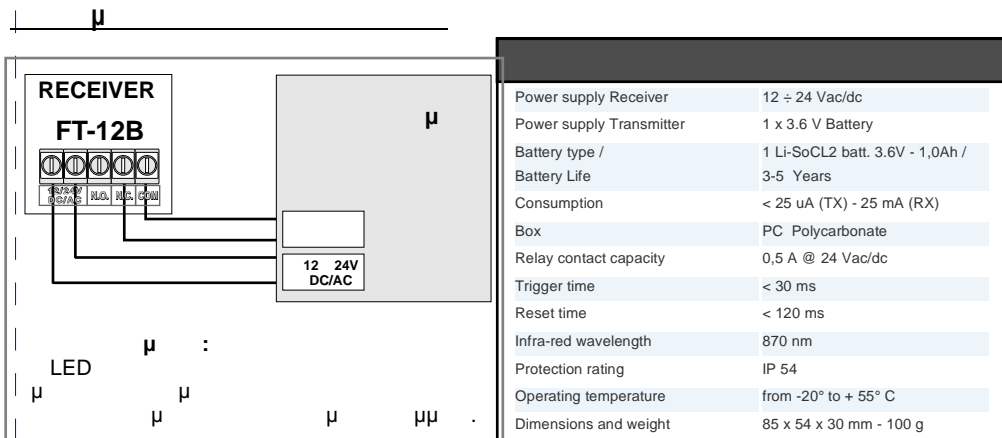


MODEL FT-12B

HFIR - microcontroller modulating system



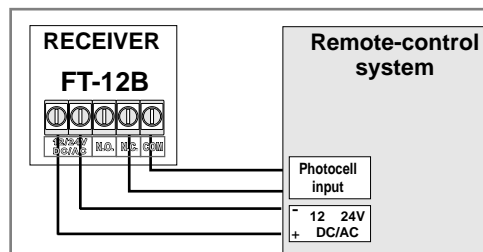
EMC Directive 2004/108/EC.

Photocell

MODEL FT-12B

HFIR - microcontroller modulating system

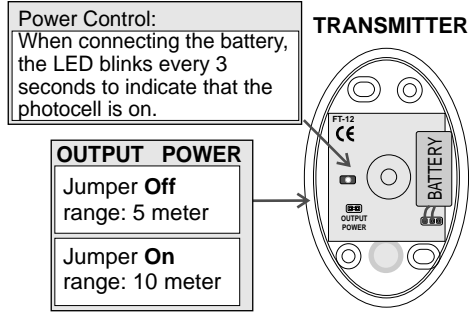
Photocell Wiring Connection



Signal control:
The receiver LED flashes when there is an obstacle passing. The receiver LED lights up when there is no obstacle passing.

SPECIFICATIONS

Power supply Receiver	12 ÷ 24 Vac/dc
Power supply Transmitter	1 x 3.6 V Battery
Battery type /	1 Li-SoCL2 batt. 3.6V - 1,0Ah /
Battery Life	3-5 Years
Consumption	< 25 uA (TX) - 25 mA (RX)
Box	PC Polycarbonate
Relay contact capacity	0,5 A @ 24 Vac/dc
Trigger time	< 30 ms
Reset time	< 120 ms
Infra-red wavelength	870 nm
Protection rating	IP 65
Operating temperature	from -20° to + 55° C
Dimensions and weight	85 x 54 x 30 mm - 100 g



EMC Directive 2004/108/EC.

DECLARATION OF CONFORMITY

AUTOTECH - G. KAPSALIS
8, Archimideus str. 12134 Peristeri Athens,
Greece, Tel: +302105780019, Fax: +302105785112
In accordance with the following directives:

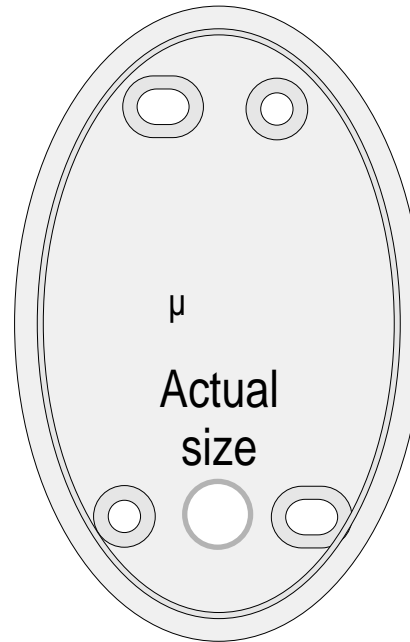
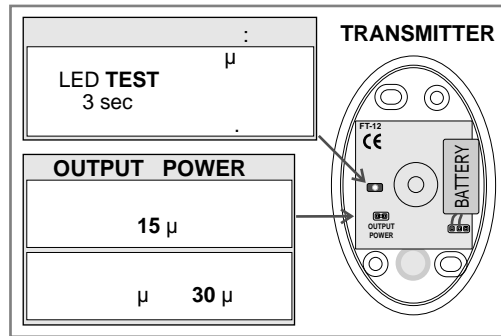
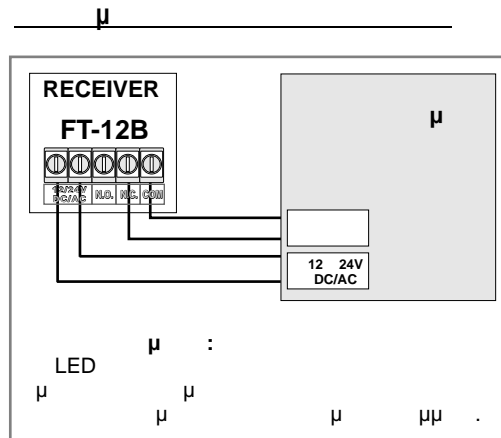
- EMC Directive 2004/108/EC
- EN12978:2003
- EN55014-1:2001
- EN55014-2:1997



hereby declare that:
Product : Photocell Pair
Model : FT12B
is in conformity with the applicable requirements of the following documents.

I hereby declare that the equipment named above has been designed to comply with the relevant sections of the above referenced specifications. The unit complies with all the applicable essential requirements of the directives mentioned.

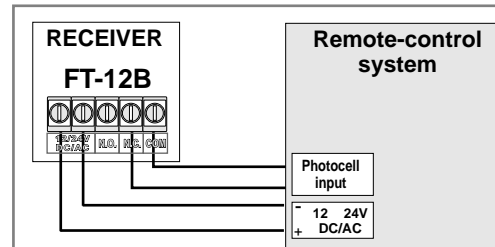
Name: Apergis Antonios
Position: Technical Director
Peristeri, 28 November 2013



μ

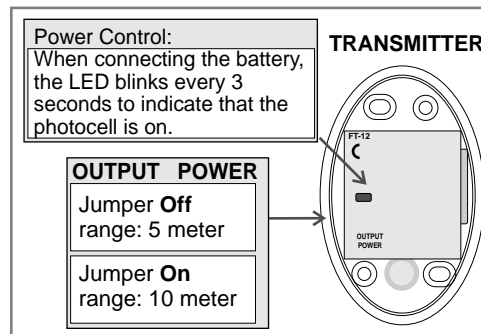
μ

Photocell Wiring Connection



Signal control:
The receiver LED flashes when there is an obstacle passing. The receiver LED lights up when there is no obstacle passing.

SPECIFICATIONS	
Power supply Receiver	12 ± 24 Vac/dc
Power supply Transmitter	1 x 3.6 V Battery
Battery type /	1 Li-SoCL2 batt. 3.6V - 1,0Ah /
Battery Life	3-5 Years
Consumption	< 25 uA (TX) - 25 mA (RX)
Box	PC Polycarbonate
Relay contact capacity	0,5 A @ 24 Vac/dc
Trigger time	< 30 ms
Reset time	< 120 ms
Infra-red wavelength	870 nm
Protection rating	IP 65
Operating temperature	from -20° to + 55° C
Dimensions and weight	85 x 54 x 30 mm - 100 g



DECLARATION OF CONFORMITY

AUTOTECH - G .KAPSALIS
8, Archimideus str. 12134 Peristeri Athens,
Greece, Tel: +302105780019, Fax: +302105785112
In accordance with the following directives:

- EMC Directive 2004/108/EC
- EN12978:2003
- EN55014-1:2001
- EN55014-2:1997

hereby declare that:
Product : Photocell Pair
Model : FT12B

is in conformity with the applicable requirements of the following documents.

I hereby declare that the equipment named above has been designed to comply with the relevant sections of the above referenced specifications. The unit complies with all the applicable essential requirements of the directives mentioned.

Name: Apergis Antonios
Position: Technical Director
Peristeri, 28 November 2013

